

**PROFESSIONAL DESIGNING AND MANUFACTURING
ALUMINUM CASTING MOULD & DIE CAST ALUMINUM HOUSING**



CUBE

CUBE Series - High Power LED Street Lighting



KILI-LED

sales@kili-led.com

www.kili-led.com

-



INTRO



CUBE is an LED luminaire that excels in optical performance, thermal management, compatibility and serviceability, bringing an uncompromised outcome of efficiency, versatility, future-proofed for an optimised investment.

CUBE has been designed to meet most demanding lighting requirements, being easy to install and maintain. It combines the latest LED light source with state-of-the-art design, achieving long life for both LEDs and drivers. The installation is simple and fast, and the luminaire is easily upgradable on-site if required.



LUMINAIRE LUMINOUS FLUX	up to 448,00 lm
LUMINAIRE EFFICACY	up to 140 lm/W
LUMEN MAINTENANCE *	L90 @ 100,000 hrs Ta =25 °C
PHOTOMETRIC OPTIONS	6 distributions

*Lumen depreciation calculated up to 100,000 hours using IES TM-21 method.

KEY BENEFITS

- Slim and elegant aesthetics
- Future-proof and upgradable on site
- Superior luminaire efficacy up to 140 lm/W
- Wide range of optics and lumen packages
- Advanced thermal management
- Maximised savings on energy and maintenance costs
- Contractor-friendly installation and maintenance
- Up to M1 lighting class applications
- Up to G6 glare rating.
- Dark sky friendly and no upward light
- Flexible and intelligent lighting control options
- Low windage and lightweight
- IP66 ingress protection
- 100% recyclable

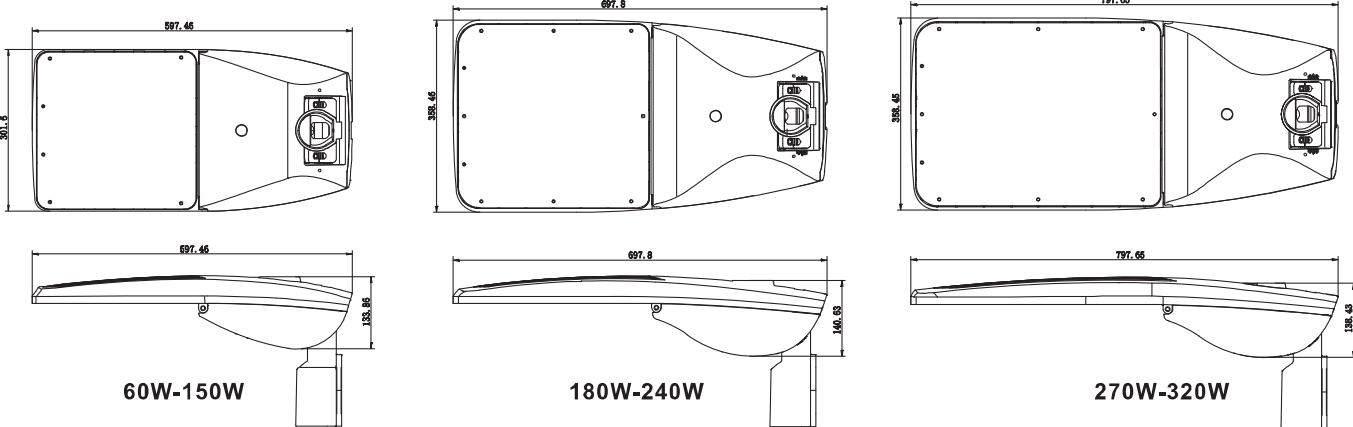
TECHNICAL SPECIFICATION

Input Voltage : 90-305V AC
 Driver Type : MW/PHILIPS/Inventronics
 Surge Protection Built in 10Kv
 Luminous Efficacy up to 140lm/w
 Colour Rendering Index >70Ra
 Mounting Bracket : Ø 76/60/50mm
 Chip Brand : PHILIPS/CREE/Bridgelux
 Installation Height : 3-15m
 Operating Temperature -35°C to 50°C
 Color Temperature: 3000K - 6500K
 Glare Rating up to G6 (depending on lens)
 Optical Cover : Toughened flat glass
 Lighting Regulation Mini PhotoCell • NEMA Socket
 Post Top / Side Entry Tilt -10°, -5°, 0°, 5°, 10°
 Material : High pressure die cast aluminium (Housing)
 Ingress Protection : IP66
 Impact Rating : IK08



Code	Nominal Size	Net Lumen Output	Power Consumption	Weight	Packing
KLCUBE060	600mm x 301mm x 134mm	8400lm	60W	7.8KG	620mm x 320mm x 154mm
KLCUBE080	600mm x 301mm x 134mm	11200lm	80W	8KG	620mm x 320mm x 154mm
KLCUBE100	600mm x 301mm x 134mm	14000lm	100W	8.2KG	620mm x 320mm x 154mm
KLCUBE120	600mm x 301mm x 134mm	16800lm	120W	8.5KG	620mm x 320mm x 154mm
KLCUBE150	600mm x 301mm x 134mm	21000lm	150W	12.8KG	620mm x 320mm x 154mm
KLCUBE180	700mm x 360mm x 140mm	21600lm	180W	13.2KG	720mm x 380mm x 160mm
KLCUBE200	700mm x 360mm x 140mm	28000lm	200W	13.2KG	720mm x 380mm x 160mm
KLCUBE240	700mm x 360mm x 140mm	33600lm	240W	13.2KG	720mm x 380mm x 160mm
KLCUBE270	800mm x 360mm x 140mm	37800lm	270W	17.5KG	820mm x 380mm x 160mm
KLCUBE320	800mm x 360mm x 140mm	44800lm	320W	17.5KG	820mm x 380mm x 160mm

DIMENSIONS





OPTICAL DISTRIBUTIONS

